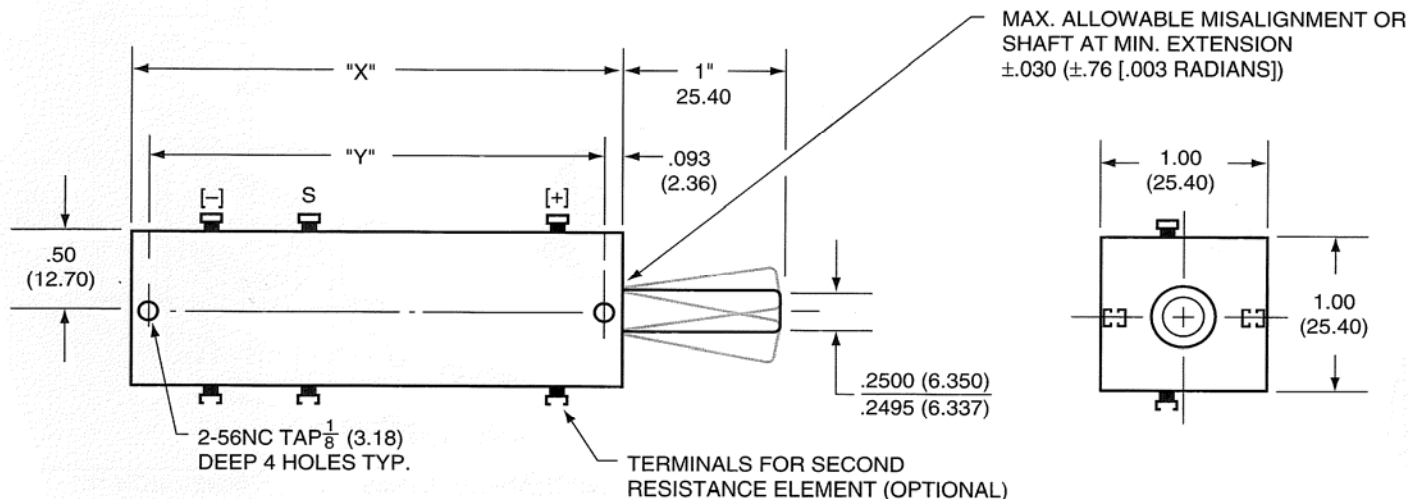


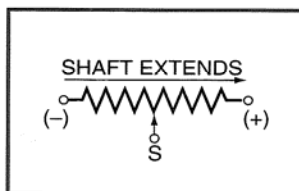
# LINEAR MOTION PRECISION POTENTIOMETERS

## MODEL 111 TUFF-LINE

### INFINITE RESOLUTION



"X" = 1.125 (25.58) + TOTAL MECH. TRAVEL [ IN 1" (25.4) INCREMENTS ]  
 "Y" = .937 (23.80) + TOTAL MECH. TRAVEL [ IN 1" (25.4) INCREMENTS ]



## SPECIFICATIONS

### ELECTRICAL

Resistance Range $\pm 10\%$	500 Ohms/inch To 125KOhms/inch
Independent Linearity or Conformity	To $\pm 0.015\%$ (Depending on Stroke)
Electrical Stroke $\pm 0.005$ inches	To 48 inches
Maximum number of taps*	4/inch
Power Dissipation	1 Watt/inch
Temperature Range	-55°C to 125°C
Dielectric Strength	750V RMS

\* See OPTIONAL Electrical Characteristics

### MECHANICAL

Mechanical Travel Beyond Stroke	+0.0625, -0.0 inches
Max Starting Force	
Misalignment	8oz @ 25°C
No Misalignment	12oz @ 25°C
Stroke Velocity	50 inches/second
Shaft Free to Rotate	Yes
Misalignment Available	Yes*
Weight	2oz + 1oz/inch

\* See OPTIONAL Mechanical Characteristics

-- An Electromotive Solutions Company --

2800 ANVIL STREET NORTH • ST. PETERSBURG, FL 33710 USA • PHONE: (727) 347-2181 • Fax: (727) 347-7520