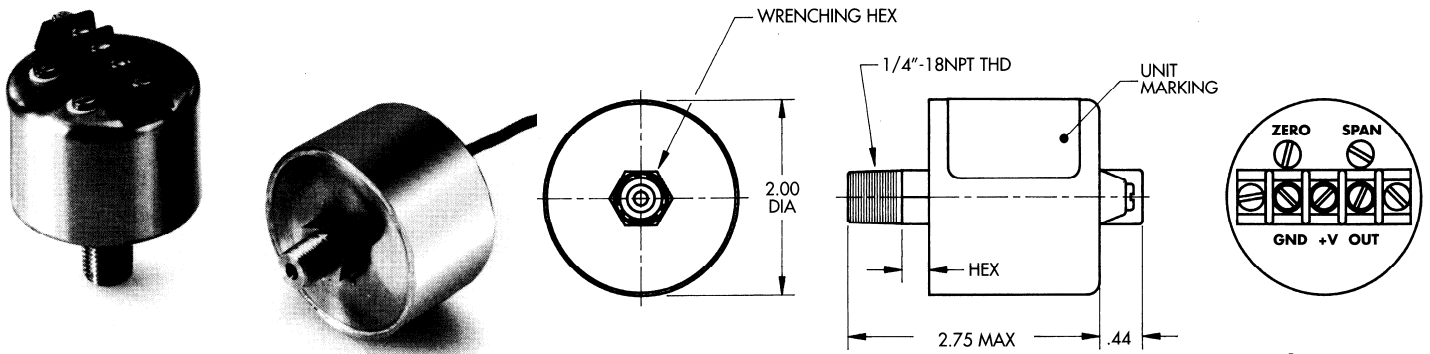


SENSOR

SYSTEMS, L. L. C.

WWW.VSENSORS.COM

HIGH PRECISION SIGNAL-CONDITIONED PRESSURE TRANSDUCER MODEL 13000



The **Model 13000** is a diffused silicon based pressure sensor that is ideal for moderate accuracy pressure measurements in instrumentation, HVAC, industrial and automotive environments.

The diffused silicon technology provides excellent linearity over its compensated temperature range. The silicon diaphragm and rugged stainless steel construction can withstand the harsh environments seen in industrial applications

Media compatibility for units sensing less than 300PSI is with all liquids and gasses compatible with silicon, stainless steel and epoxy resins. Higher pressure ranges require compatibility with stainless steel only. External Zero & Span adjustments are provided.

- **Excellent Thermal Performance**
- **Excellent Long-Term Stability & Reliability**
- **Low Cost with High Accuracy**
- **User Adjustable Zero & Span**
- **Versatile Output Options**

Automotive Test & Manufacturing
Industrial Process Control
Instrumentation
Security Equipment
HVAC

-- An Electromotive Solutions Company --

2800 ANVIL STREET NORTH • ST. PETERSBURG, FL 33710 USA • PHONE: (727) 347-2181 • Fax: (727) 347-7520

MODEL 13000**HIGH PRECISION SIGNAL-CONDITIONED PRESSURE TRANSDUCER**

PRESSURE CHARACTERISTICS	Units of Measure	
Pressure Ranges (in 100PSI Increments)	PSIG, & PSIA	0-5, 0-15, 0-30, 0-50, 0-100 0-300, 0-500, 0-1000, 0-3000, 0-5000
Proof Pressure	% of Full Scale Pressure	3X

ELECTRICAL CHARACTERISTICS	Units of Measure	
Accuracy (includes linearity, hysteresis & repeatability)		
Standard	±% of Full Scale Output	To 0.1% To 0.25%
Special Order	±% of Full Scale Output	To 0.05% To 0.15%
Excitation		10-32VDC, Current Loop or +5VDC Digital
Accuracy (Total) Factory Settings		
Standard	±% of Full Scale	To 0.5%
Special Order	±% of Full Scale	To 0.2%
Outputs Available		≤5VDC
Voltage	VDC	0.1 to 5.1, 0.5 to 4.5 VDC
Current	mADC	4020mADC
Digital	Bits	12, 16 24 Bits

TEMPERATURE CHARACTERISTICS	Units of Measure	
Temperature Coefficient		
Sensitivity		
Standard	±% of Full Scale Output	1.0%
Special Order	±% of Full Scale Output	0.5%
Temperature Range		
Operating	C	-40 to 30°C
Compensated "A"	°C	-15 to 30°C



An Electromotive Solutions Company
 ISO 9001:2000 & AS9100:2004 Certified
 2800 ANVIL STREET NORTH ST. PETERSBURG, FL 33710 USA
 PHONE: (727) 347-2181 Fax: (727) 347-7520 Email: sales@vsensors.com