

# UNCOMPENSATED PRESSURE SENSOR MODEL 6-08 (19mm)

The **Model 6-08** is specifically designed for use in a broad variety of OEM applications where accurate, reliable, high performance pressure measurement is required.

The small size of the **Model 6-08** (19mm OD), media-isolated diaphragm & rugged construction is ideal for inclusion into systems that require a small, accurate & robust pressure sensor.

The **Model 6-08** operates over a wide temperature range, from  $-40^{\circ}\text{C}$  to  $125^{\circ}\text{C}$  ( $-40^{\circ}\text{F}$  to  $257^{\circ}\text{F}$ ) and at pressure ranges from 5 PSI to 1,000PSI.

All wetted parts are manufactured from highly corrosion-resistant 316L stainless steel. The **Model 6-08** utilizes a media-isolated 6th generation micro-machined silicon pressure sensor, which is designed to provide exceptional stability & very low noise.

The modular product platform design on the **Model 6-08** allows user-specified modifications while maintaining product integrity.

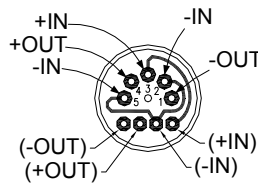
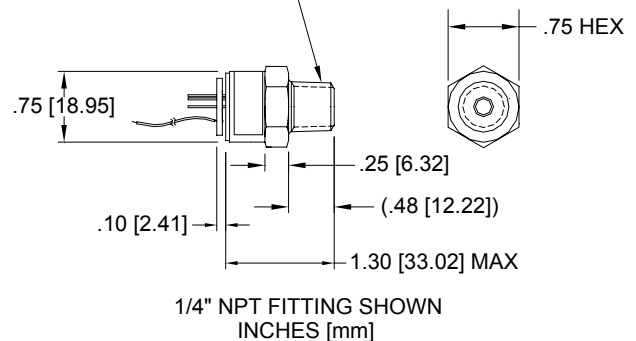


*Wide Choice of  
Pressure Ranges &  
Fittings*

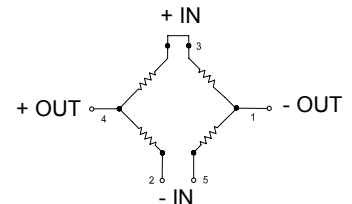
*Highly  
Corrosion Resistant*

*Exceptional  
Long-term Stability*

FOR ACTUAL DIMENSIONS  
SEE OUTLINE DRAWING



PIN ARRANGEMENT  
TYPICAL FOR ALL OPTIONS



SENSOR SCHEMATIC

- *Process Control Systems*
- *Liquid Level Measurement*
- *Lubrication Systems*
- *Natural Gas Production*
- *Chemical Processing Systems*
- *Wastewater Treatment*
- *HVAC & Refrigeration*
- *Pulp & Paper Processing*

# MODEL 6-08

# 19MM UNCOMPENSATED PRESSURE TRANSDUCER

## Product Specifications

### Performance

Output Signal	See Chart 1 below
Accuracy L, R & H	±0.25%FSO
Zero Offset	±30mV (Maximum)
Long-term Stability	±0.20%FSO/Year
Temperature	Uncompensated
Temperature Effect	Zero: ±10% FSO/100°F
	Span: ±20% FSO/100°F

### Operating

Input Power	5 VDC (15 VDC Max)
Insulation Resistance	100 megohms @ 50 VDC
Dielectric Strength	500 VDC or VAC
Proof Pressure	200% of Rated Range
Burst Pressure	300% of Rated Range
Weight	46g (1.6oz)

### Environmental

Operating Temperature	-40°C to +125°C (-40°F to +257°F)
Wetted Parts	316L SST
Vibration	15 G's, 20-2000Hz
Shock	100 G's for 11ms, Half-sine
Life	100 Million Full Scale Cycles

CHART 1			
PSI	V Input	µV/V/PSI	mV Out (Nominal)
200	5	150	150
300	5	150	225
500	5	70	175
1000	5	30	150
3000	5	12	180
4000	5	8	160
5000	5	8	200

## Ordering Information

**6 - 08 X - XX X X - XX**

### Instrument Family

6 = Silicon Strain Gage

### Sensor Type

08 = Uncompensated 19mm mV Output

### Reference Pressure

0 = Absolute 1 = Vented Gage

2 = Sealed Gage

### Pressure Ranges

Absolute & Vented Gage	Sealed Gage
11 = 0 - 200 PSI	15 = 0 - 1000 PSI
13 = 0 - 300 PSI	18 = 0 - 3000 PSI
14 = 0 - 500 PSI	19 = 0 - 4000 PSI
	20 = 0 - 5000 PSI

### Pressure Fittings

0 = MS33656-E4 Male	5 = 13mm Weld Ring
1 = 7/16-20 Straight, Male	w/O-ring Groove
2 = 1/4-18 NPT, Male	6 = G 1/4 British Std Pipe ,
3 = 1/8-27 NPT, Male	Female
4 = 13mm Weld Ring	7 = 1/8-27 NPT, Female

### Electrical Connections

0 = Pins Only 1 = 2" Ribbon, 4-wire

### Custom Configurations

00 = No Custom Requirements



*An Electromotive Solutions Company*  
**ISO 9001:2000 & AS9100:2004 Certified**  
 2800 ANVIL STREET NORTH ST. PETERSBURG, FL 33710 USA  
 PHONE: (727) 347-2181 Fax: (727) 347-7520 Email: sales@vsensors.com