

ASIC-COMPENSATED MICRO-MACHINED DIFFERENTIAL PRESSURE TRANSDUCER MODEL 6-26

The **Model 6-26** is specifically designed for use in a broad range of applications where accurate, reliable, high performance pressure measurement is required

The **Model 6-26** is a true wet-wet differential sensor. Its compact size, media-isolated diaphragm & rugged construction is ideal for systems requiring a temperature-compensated pressure transducer or transmitter.

The **Model 6-26** operates over a wide temperature range, from -40°C to 120°C (-40°F to 248°F) & at pressure ranges from 15 PSID to 500 PSID.

The transducer version will output a 0-5 VDC signal with an 8-32 VDC (10mA max) input. The transmitter version has a standard 4-20mA DC signal with a 10-32 VDC input.

All wetted parts are manufactured from highly corrosion resistant 316L stainless steel. The **Model 6-26** utilizes a media-isolated 6th generation micro-machined silicon pressure sensor that is designed to provide exceptional stability & very low noise.

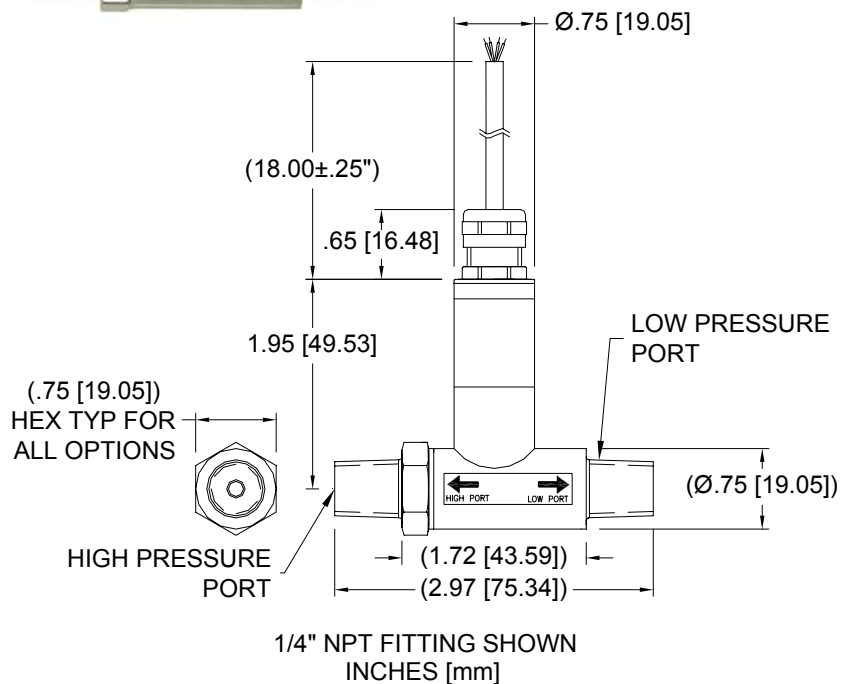
The modular product platform design on the **Model 6-26** allows user-specified modifications while maintaining product integrity.



WIDE CHOICE OF PRESSURE RANGES & FITTINGS

HIGHLY CORROSION RESISTANT

EXCELLENT LONG-TERM STABILITY



- Fluid Control*
- Gas Compressors*
- Liquid Level*
- Lubrication Systems*
- Wastewater Treatment*
- Chemical Processing*
- Test Stands*
- Wastewater Treatment*

MODEL 6-26

ASIC COMPENSATED DIFFERENTIAL PRESSURE TRANSDUCER

Product Specifications

Performance

Output Signal	See Ordering Information
Accuracy L, R & H	±0.25% FSO
Zero & Span Offset	±1.0% FSO (Max)
Long-term Stability	±0.25%FSO/Year
Compensated Temperature	0°C to 85°C (32°F to 185°F)
Temperature Effect	Zero: ±2.0% FSO Span: ±2.0% FSO

Operating

Transmitter Input	10 - 30 VDC
Transducer Input	8-32 VDC (10 mA Max)
Insulation Resistance	50 Megohms @ 100 VDC
Dielectric Strength	500 VAC 50-60Hz, 5mA Max, 1min
Proof Pressure	200% of Rated Range
Burst Pressure	300% of Rated Range
Operating Life	100 MM Full Scale Cycles
Weight	168g (5.9oz)

Environmental

Max Operating Temperature	-40°C to 120°C (-40°F to 248°F)
Wetted Parts	316L SST
Vibration	15 G's, 10-2000Hz
Shock	100 G's for 11ms, Half-sine

Ordering Information

6 - 26- XXXX X - X X X - XX

Instrument Family

6 = Silicon Strain Gage

Sensor Type

26 = Differential XDRCR/XMTR

Pressure Ranges*

15 PSI	200 PSI
30 PSI	300 PSI
50 PSI	500 PSI
100 PSI	

Reference Pressure

D = Differential

Pressure Fittings

- 1 = 7/16-20 Straight, Male
- 2 = 1/4-18 NPT, Male
- 3 = 1/8-27 NPT, Male

Electrical Connections

- 3 = 3-Wire Shielded
- 4 = DIN 43650 Form C
- 5 = Hirschmann ELST 412

Output Signal

A = 0.0 to 5.0 VDC	E = 0.0 to 10.0 VDC
B = 0.5 to 5.5 VDC	F = 1.0 to 11.0 VDC
C = 1.0 to 5.0 VDC	J = 0.5 to 5.0 VDC
D = 1.0 to 6.0 VDC	K = 4 to 20mADC

Custom Configurations

00 = No Custom Requirements



An Electromotive Solutions Company
ISO 9001:2000 & AS9100:2004 Certified

2800 ANVIL STREET NORTH ST. PETERSBURG, FL 33710 USA
PHONE: (727) 347-2181 Fax: (727) 347-7520 Email: sales@vsensors.com