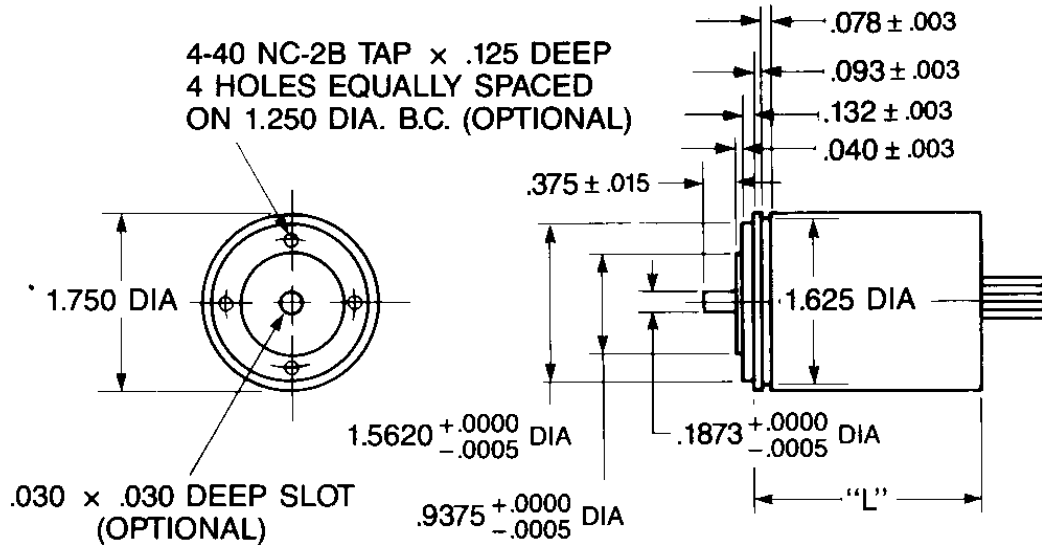


ABSOLUTE CONTACT ENCODER Model VGE18



ELECTRICAL

Voltage	5 to 28 VDC
Resolution	To 9 Bits in Single-turn To 19 Bits in Multi-turn
Counting Speed	Up to 200 RPM
Code	Gray (Increase count CW or CCW)
Accuracy	±½ Bit

MECHANICAL

Mounting	Flange, Servo, Face
Shaft Seals	Available
Leads	Pigtail Standard
Connectors	Side or End Leads Available
Temperature	-54°C to 125°C
Vibration	Consult Factory
Shock	Consult Factory

-- An Electromotive Solutions Company --

2800 ANVIL STREET NORTH • ST. PETERSBURG, FL 33710 USA • PHONE: (727) 347-2181 • Fax: (727) 347-7520