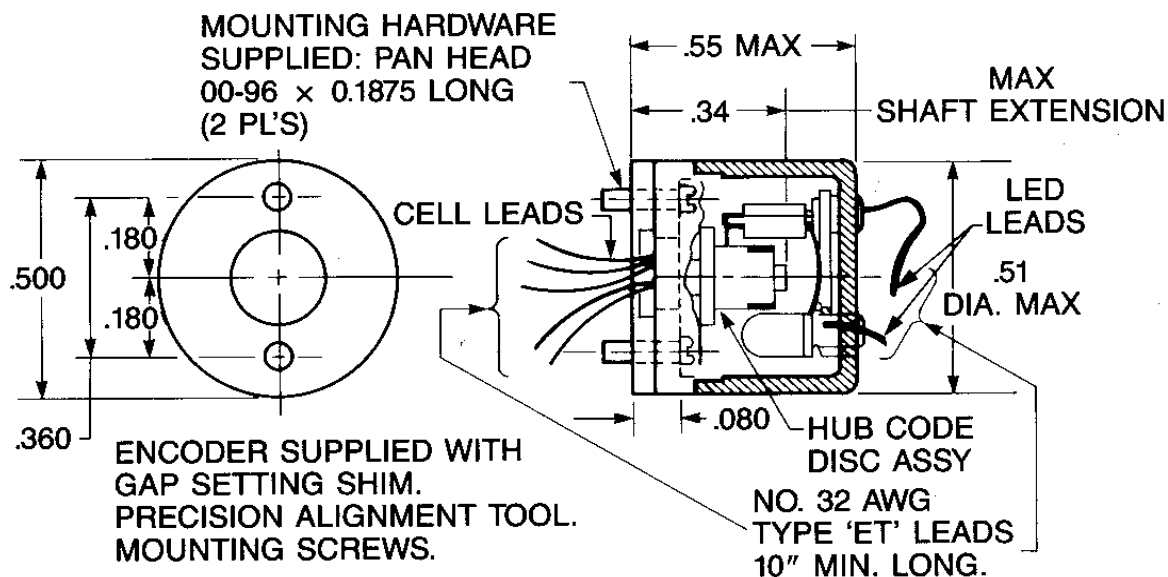


# INCREMENTAL KIT ENCODER Model VOE005



## ELECTRICAL

<b>Voltage</b>	5 to 15 VDC
<b>Frequency Response</b>	100kHz (Standard)
<b>Resolution*</b>	250, 256 & 360PPR
<b>Code</b>	Dual Channel in Quadrature w/Index
<b>Accuracy</b>	
<b>Pulse to Pulse</b>	±1%
<b>Pulse to Any Pulse</b>	±3 arc minutes

\*Other counts are available on special order.

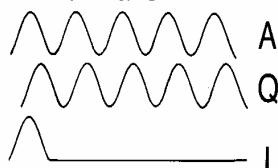
**Please note:** This model provides a raw, sine wave output. Additional signal conditioning circuitry is required. Consult factory for interface circuitry details.

## MECHANICAL

<b>Mounting</b>	Flange, Servo, Face
<b>Shaft Seals</b>	Available
<b>Leads</b>	Pigtail Standard
<b>Connectors</b>	Available
<b>Vibration</b>	5-2Khz @ 20 G's
<b>Temperature</b>	0°C to 70°C (Std Operating) -54°C to 85°C (Optional) -65°C to 95°C (Storage)
<b>Humidity</b>	Non-condensing
<b>Shock</b>	50 G's, 11ms

### ENCODER OUTPUT

Sine Wave



-- An Electromotive Solutions Company --

2800 ANVIL STREET NORTH • ST. PETERSBURG, FL 33710 USA • PHONE: (727) 347-2181 • Fax: (727) 347-7520