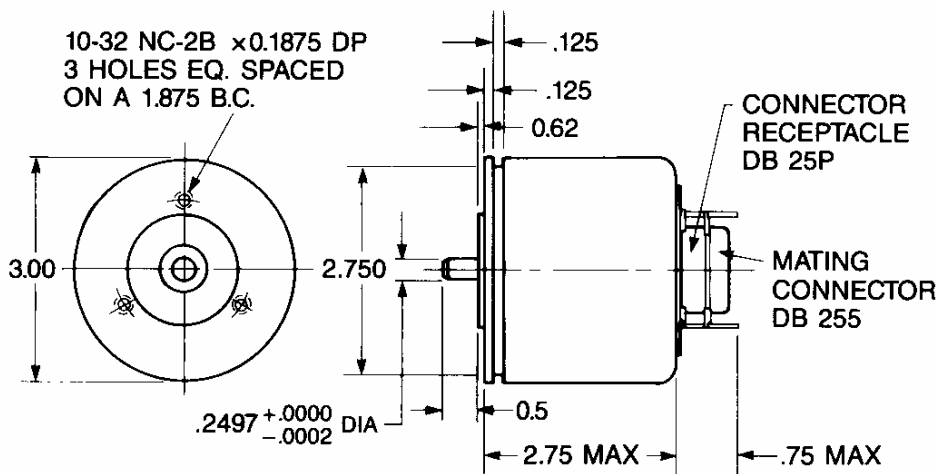


INCREMENTAL ENCODER Model VOE30



ELECTRICAL

Voltage	5 to 15 VDC
Frequency Response	100kHz (Standard)
Resolution*	250, 256, 500, 512, 1000, 1024, 1080, 2000, 2048, 2500, & 4096PPR
Code	Dual Channel in Quadrature w/Index
Multiplication	Available
Complimentary	Available
Output	PS- Photo-sensor PU- Pull-up OC- Open Collector LD- Line Driver
Accuracy	
Pulse to Pulse	\pm 1%
Pulse to Any Pulse	\pm 3 arc minutes

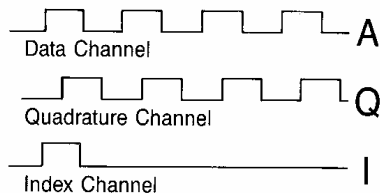
*Other counts are available on special order.

MECHANICAL

Mounting	Flange, Servo, Face
Shaft Seals	Available
Leads	Pigtail Standard
Connectors	Available
Vibration	5-2Khz @ 20 G's
Temperature	0°C to 70°C (Std Operating) -54°C to 85°C (Optional) -65°C to 95°C (Storage)
Humidity	Non-condensing
Shock	50 G's, 11ms

ENCODER OUTPUT

(CLOCKWISE WHEN VIEWING SHAFT)



-- An Electromotive Solutions Company --

2800 ANVIL STREET NORTH • ST. PETERSBURG, FL 33710 USA • PHONE: (727) 347-2181 • Fax: (727) 347-7520