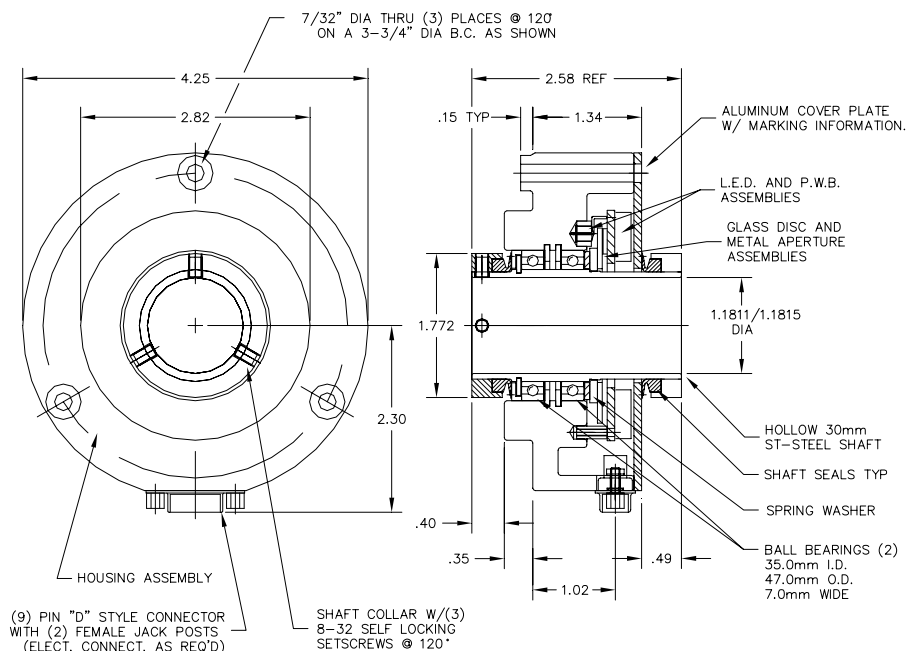


# HOLLOW SHAFT INCREMENTAL ENCODER Model VOH42



## ELECTRICAL

<b>Voltage</b>	5 to 15 VDC
<b>Frequency Response</b>	100kHz (Standard)
<b>Resolution*</b>	250, 256, 500, 512, 1000, 1024, 1080, 2000, 2048, & 2500PPR
<b>Code</b>	Dual Channel in Quadrature w/Index
<b>Multiplication</b>	Available
<b>Complimentary</b>	Available
<b>Output</b>	PS- Photo-sensor PU- Pull-up OC- Open Collector LD- Line Driver
<b>Accuracy</b>	
<b>Pulse to Pulse</b>	±1%
<b>Pulse to Any Pulse</b>	±3 arc minutes

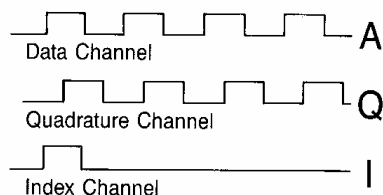
\*Other counts are available on special order.

## MECHANICAL

<b>Mounting</b>	Flange, Servo, Face
<b>Shaft Seals</b>	Available
<b>Leads</b>	Pigtail Standard
<b>Connectors</b>	Available
<b>Vibration</b>	5-2Khz @ 20 G's
<b>Temperature</b>	0°C to 70°C (Std Operating) -54°C to 85°C (Optional) -65°C to 95°C (Storage)
<b>Humidity</b>	Non-condensing
<b>Shock</b>	50 G's, 11ms

### ENCODER OUTPUT

(CLOCKWISE WHEN VIEWING SHAFT)



-- An Electromotive Solutions Company --

2800 ANVIL STREET NORTH • ST. PETERSBURG, FL 33710 USA • PHONE: (727) 347-2181 • Fax: (727) 347-7520